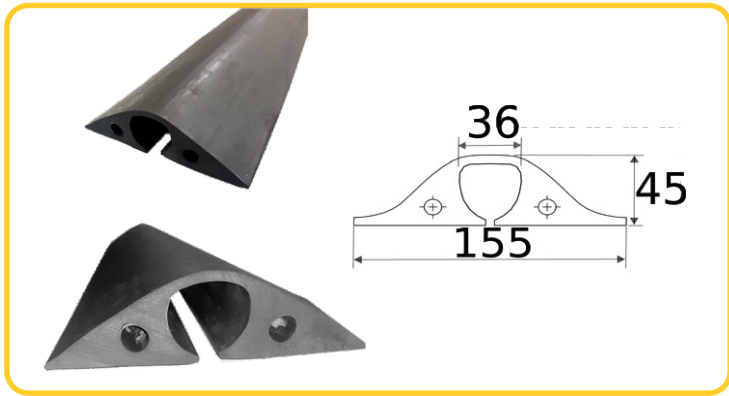


**CR-1**

SIZE:LXBXH (mm)	122 X 25 X 15
WEIGHT / PACKING	5.300 kg
MATERIAL	RUBBER(NR +RR)
ACCESSORIES	-



**CR-2**

SIZE:LXBXH (mm)	155 X 45 X 36
WEIGHT / PACKING	2.700 kg
MATERIAL	RUBBER(NR +RR)
ACCESSORIES	-

