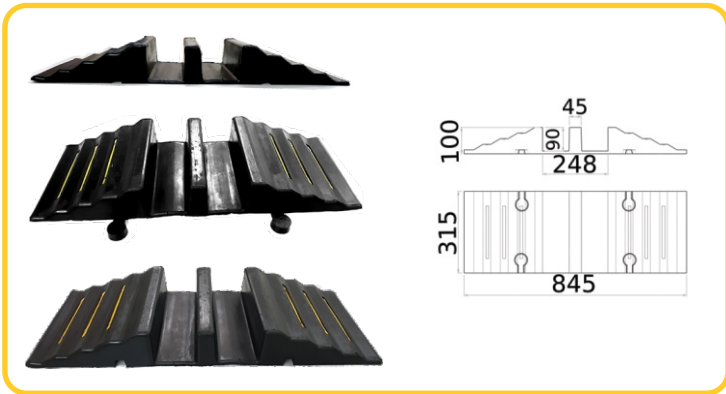


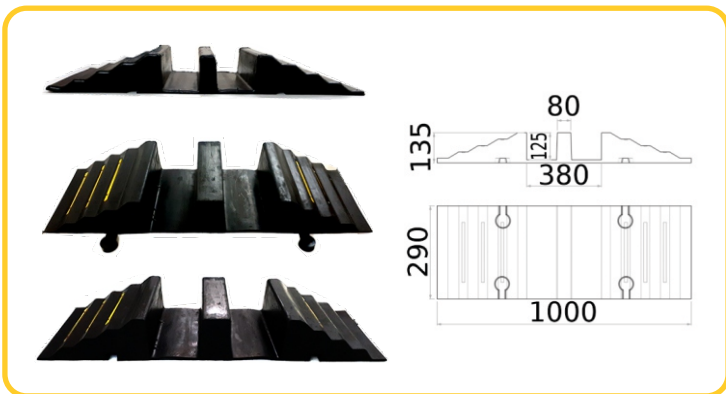
HR-3

SIZE:LXBXH (mm)	860 X 300 X 80
WEIGHT / PACKING	10.500 kg / 40 PER CRATE
MATERIAL	RUBBER(NR +RR)
ACCESSORIES	-



HR-4

SIZE:LXBXH (mm)	845 X 315 X 100
WEIGHT / PACKING	12.500 kg / 40 PER CRATE
MATERIAL	RUBBER(NR +RR)
ACCESSORIES	-



HR-5

SIZE:LXBXH (mm)	1000 X 290 X 135
WEIGHT / PACKING	18.300 kg / 25 PER CRATE
MATERIAL	RUBBER(NR +RR)
ACCESSORIES	-